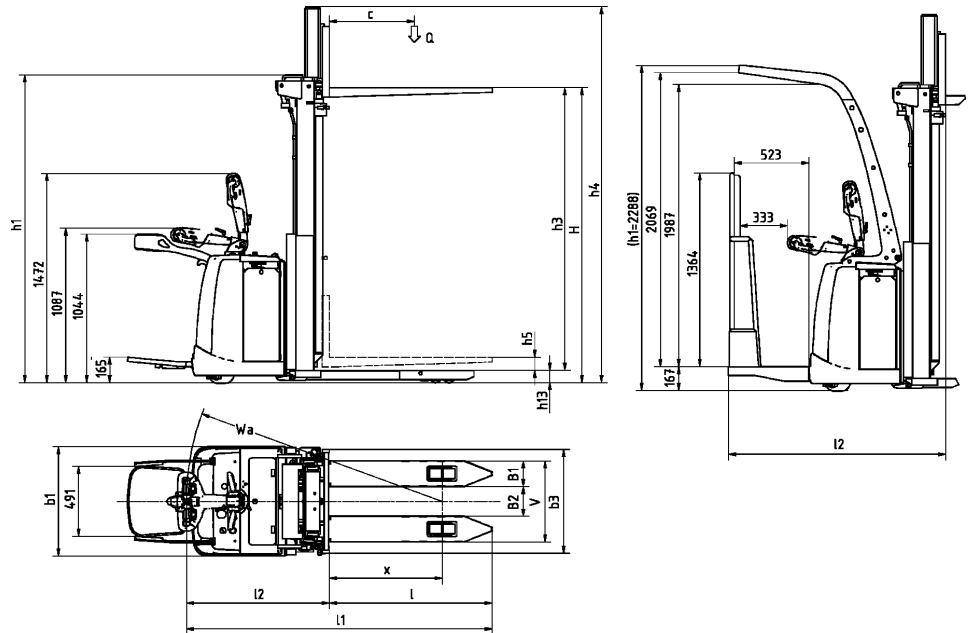


## Pedestrian Stacker with driver platform

### PSP 125STV

Robust, ergonomic, powerful and highly manoeuvrable pedestrian stacker with foldable platform and advanced safety features. Ideal for the warehouse and when equipped with the option straddle lift suitable for double pallet handling. Side protection bars, electrical power steering and driver protected platform available as option.



Mast type	Lift height H	Height of mast lowered h1	Max mast height h4
Standard/Duplex	2690	1845	3110
	2990	1995	3410
	3290	2150	3710
	3590	2300	4010
	4190	2600	4610
Triplex			

Distinguishing mark	0	Specification		PSP 125STV	
	1.2	Manufacturer's type designation			
	1.3	Drive: electric (battery or mains), diesel, petrol, fuel gas		Electric	
	1.4	Operator type: hand, pedestrian, standing, seated, order-picker		Pedestrian	
	1.5	Load capacity/rated load	Q	t	1,25
	1.6	Load centre distance	c	mm	400-600
	1.8	Load distance, centre of load axle to fork	X		750
	1.9	Wheelbase	y	mm	1412
	Weight	2.1	Service weight incl battery		kg
2.2		Axle load, with load, front/rear		kg	1095 / 1432
2.3		Axle load, without load, front / rear		kg	889 / 378
2.4		Axle load, fork outreached with load, front / rear		kg	
2.5		Axle load, fork retracted with load, front / rear		kg	
Tyres, chassis	3.1	Tyres			Powerthane/Polyurethane
	3.2	Tyre size, drive side		mm	230*70
	3.3	Tyre size, load side		mm	85*99
	3.4	Dimensions additional wheels (castor wheels)		mm	140*60
	3.5	Wheels, number front/rear (drive side/load side, x = driven wheels)			1x +1/2
	3.6	Track, drive side	b10	mm	501
	3.7	Track, load side	b11	mm	380
Dimensions	4.1	Tilt of mast/fork carriage, forward/backward		Grad	
	4.2	Height, mast lowered	h1	mm	See table
	4.3	Free lift	h2	mm	80
	4.4	Lift height H = h1+h3	H	mm	See table
	4.5	Height, mast extended	h4	mm	See table
	4.6	Straddle lift	h5	mm	
	4.7	Height of overhead guard (cabin)	h6	mm	2288
	4.8	Seat height/stand height	h7	mm	165
	4.10	Height of wheel arms	h8	mm	82
	4.11	Additional lift	h9	mm	
	4.14	Stand height, elevated	h12	mm	
	4.15	Height lowered	h13	mm	90
	4.19	Overall length	l1	mm	2107
	4.20	Length to face of forks	l2	mm	907
	4.21	Overall width	b1	mm	770
	4.21.1	Width over stabilizers		mm	
	4.22	Fork dimensions	s/e/l	mm	65/180 / 1200, 1000
	4.23	Fork carriage to ISO 2328, clas / form A, B			
	4.24	Width of fork carriage	b3	mm	590
	4.25	Width over forks, min/max	b5	mm	570
	4.26	Distance between wheel arms	b4	mm	210
	4.27	Width across guide rolls	b6	mm	
	4.28	Reach distance	l4	mm	
	4.29	Reach lateral	b7	mm	
	4.30	Reach lateral from vehicle centerline	b8	mm	
	4.31	Ground clearance, mast	m1	mm	28
	4.32	Ground clearance, centre of wheelbase	m2	mm	28
	4.33	Aisle width with pallet 1000 x 1200, crosswise	Ast	mm	2526 / 2909
	4.34	Aisle width for pallet 800 x 1200, lengthwise	Ast	mm	2479 / 2862
		Transfer aisle	0	mm	
	4.35	Turning radius	Wa	mm	1675 / 2058
	4.37	Length incl reach legs	l7	mm	
	4.38	Distance to swivelling-fork pivot	0	mm	
Performance data	5.1	Travel speed, with/without load		km/h	5,6 / 5,6
	5.1.1	Travel speed with/without load, backwards		km/h	5,6 / 5,6
	5.2	Lift speed, with/without load		m/s	0,13 / 0,26
	5.3	Lowering speed, with/without load		m/s	0,33 / 0,21
	5.4	Reach speed, with / without load		m/s	
	5.7	Gradient, with/without load		%	
	5.8	Max gradeability, with / without load, 5 min rating		%	7,9
	5.9	Acceleration time 0-10 m, with/without load		s	7,9 / 7,5
	5.10	Service brake: electric, hydraulic			El. - drive motor
	5.10.1	Parking brake: electric, hydraulic			Electric
Electric engine	6.1	Drive motor, rating S2 60 min		kW	1,3
	6.2	Lift motor		kW	1,0
	6.3	Battery according to DIN 43531/35/36	A,B,C		
	6.4	Battery voltage / Battery capacity		V/Ah	24 / 220-400
	6.5	Battery weight		kg	250 - 370*
	6.6	Power consumption according to VDI cycle		kWh/h	
Additional data	8.1	Speed regulation			Combi AC
	10.1	Operating pressure attachments		bar	
	10.2	Oil flow for attachments		l/min	62,8
	10.7	Noise level at operator's ear, according to EN 12 053		db(A)	

\* Varies according to battery size

All rights reserved to change above specification